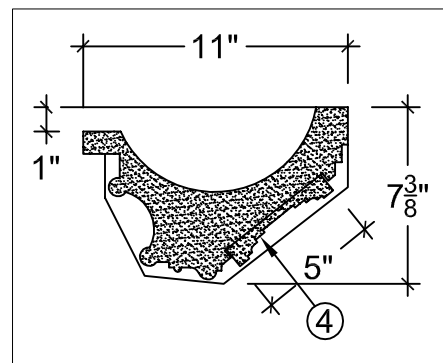


ELEVATION

SCALE: 1/2" = 1'

THESE ITEMS CAN BE MODIFIED:

1. ITEM# DC802-06 BEADS
2. ITEM# DC812-08 ORNAMENT
3. ITEM# DC816-02 (DIM: 9"H X 10-5/8"W)
4. ITEM# DC405-106 PANEL
5. HT. OF PLINTH CAN BE MADE SHORTER
6. HT. OF FIRE PLACE CAN BE MADE SHORTER



SECTION

SCALE: 1-1/2" = 1'



67 Steuben Street
Brooklyn, NY 11205
P 718.534.7000
F 718.534.7040
www.decocraftusa.com

Design Copyright © Deco Craft USA Inc.2010.All rights reserved

NAME:

FIRE MANTEL

ITEM#

DC105-102

MATERIAL:

PLASTER

HEIGHT:

63-1/2"

PROJECTION:

9-11/16"

FACE:

N/A

REPEAT:

N/A

LENGTH:

N/A

WIDTH:

76-3/16"